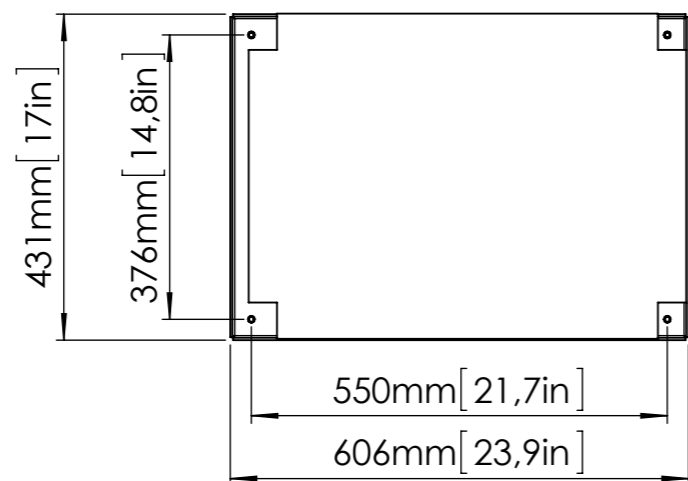
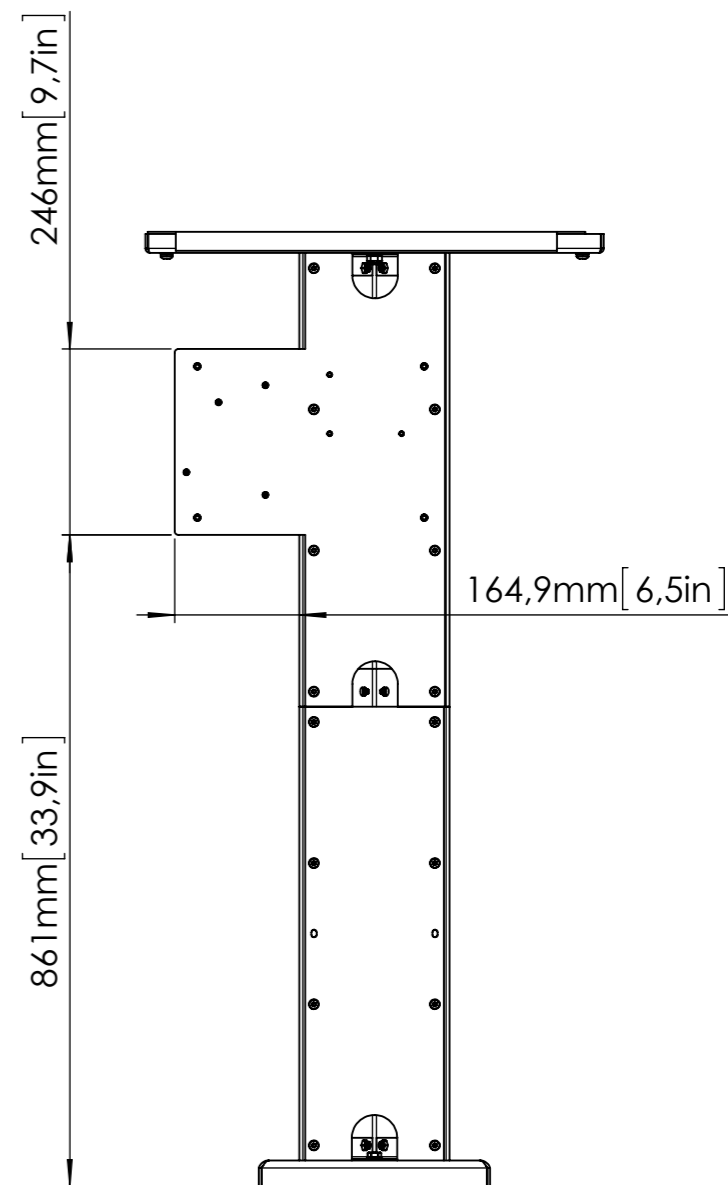
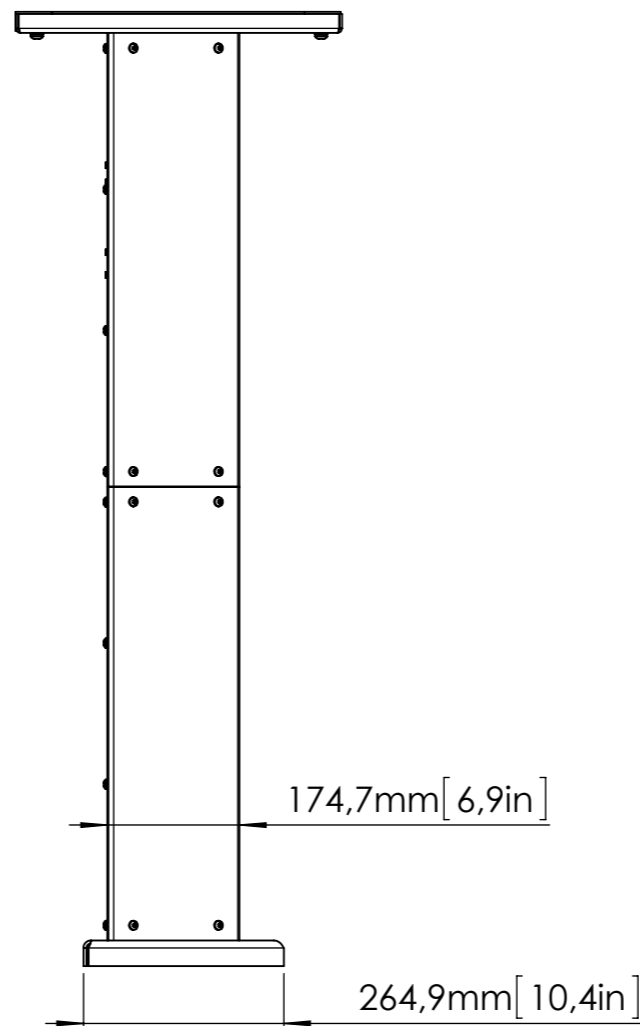
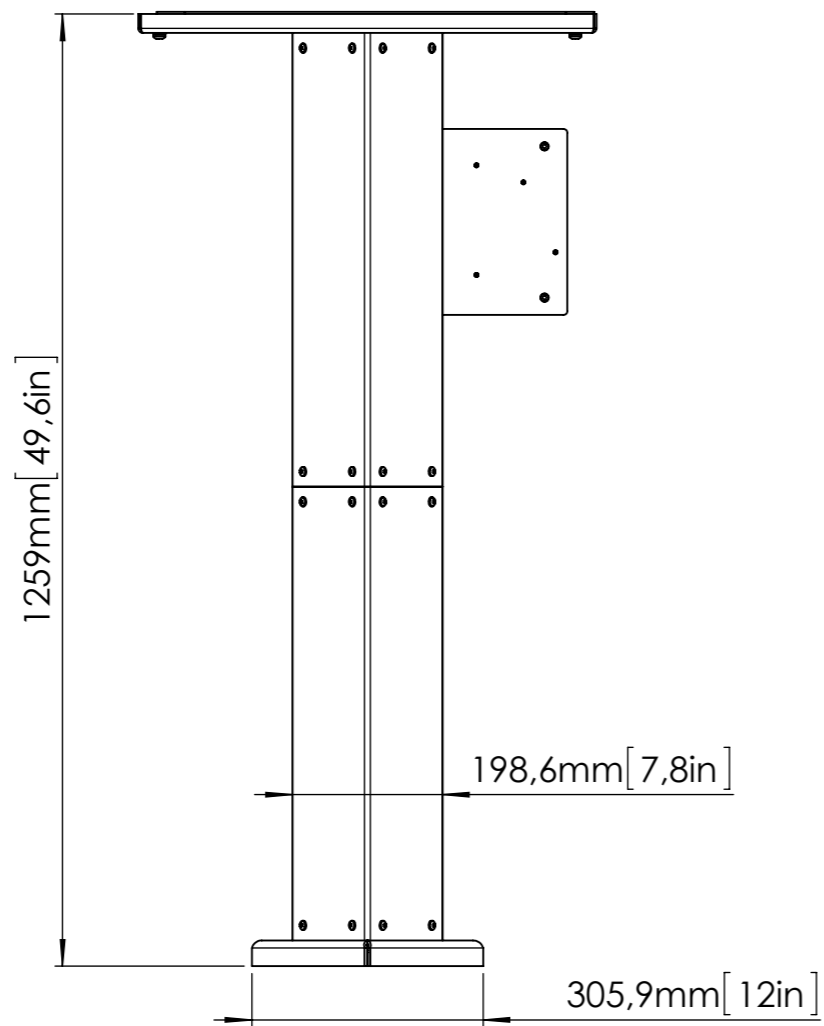
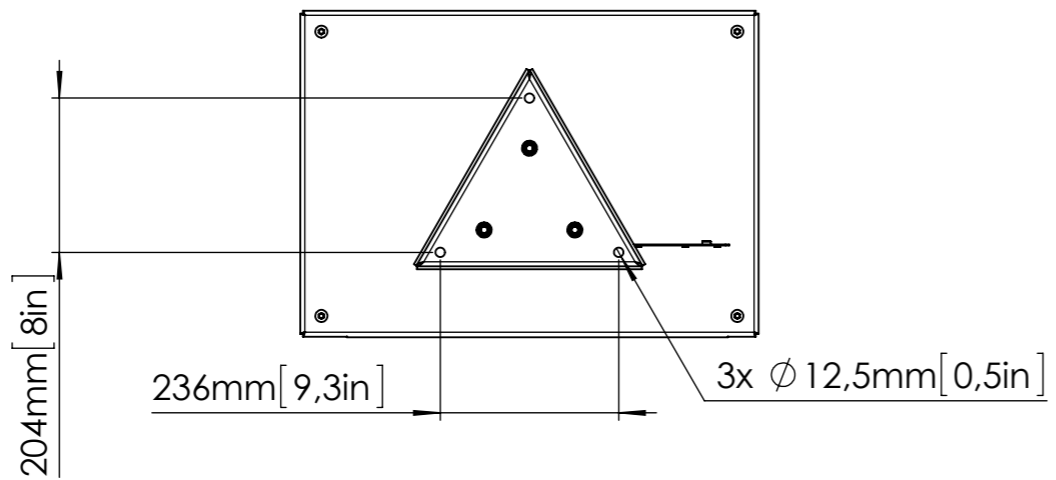


This document is property of 3nine AB, and may not without our written permission be copied, imparted to a third party or used for any unauthorized purpose.



Surface conditioning		Heat treatment		Scale 1:10
General tolerance SS-ISO 2768		General roughness, Ra Asm.		
Drawn	130312 Sign JSg	Denomination Pillar stand Dimension drawing Nova		
Check.	Sign			
3nine		Article nr.		Drawing nr.
		250-006		DD250-006
		Sheet 1 of 1		Mod.

A B C D E F G H

6
5
4
3
2
1