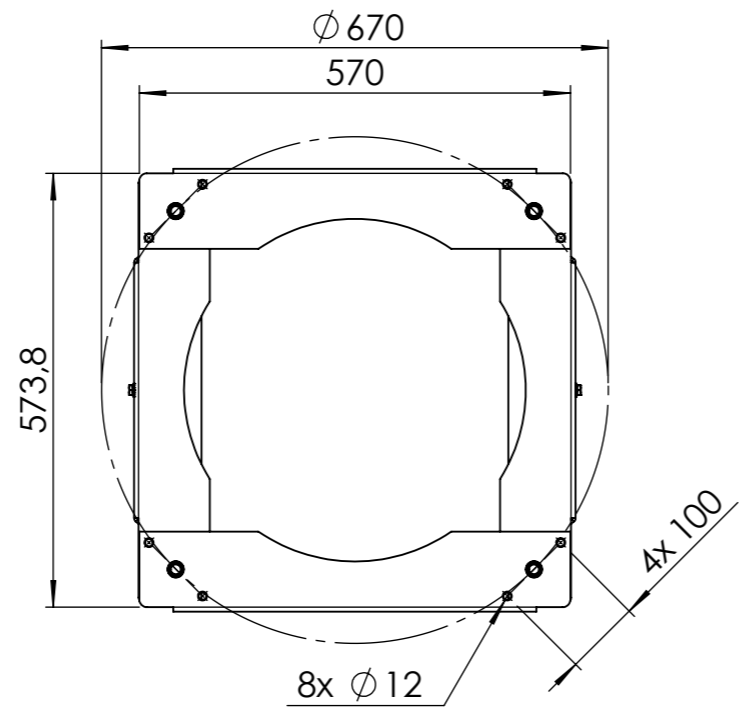
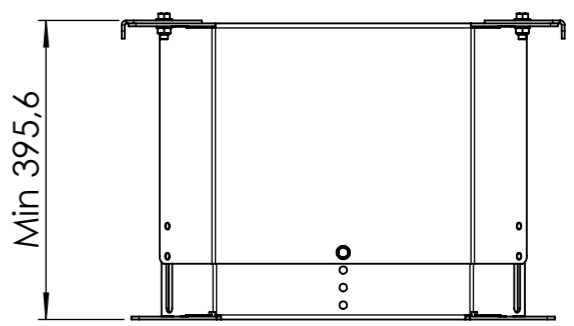
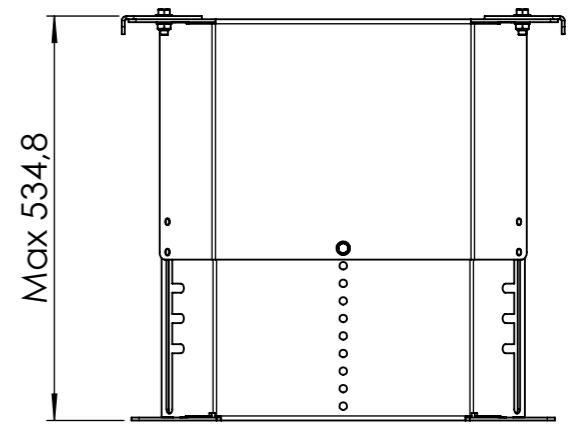
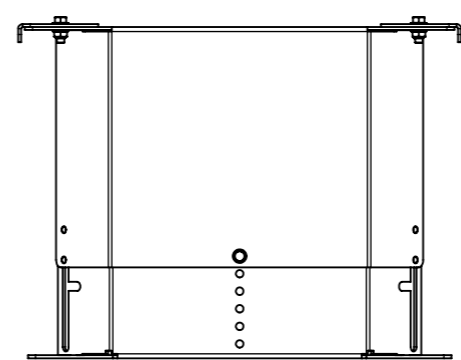
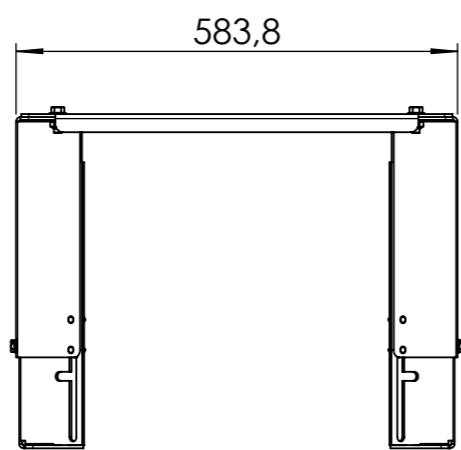
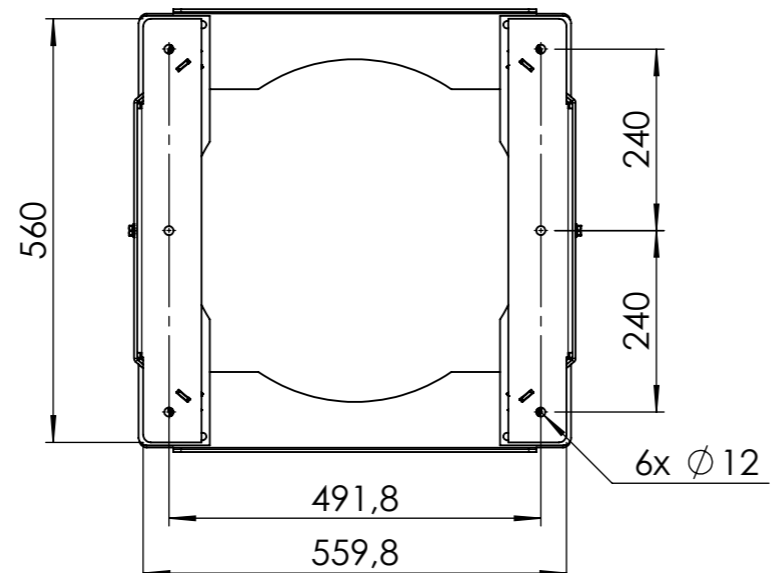
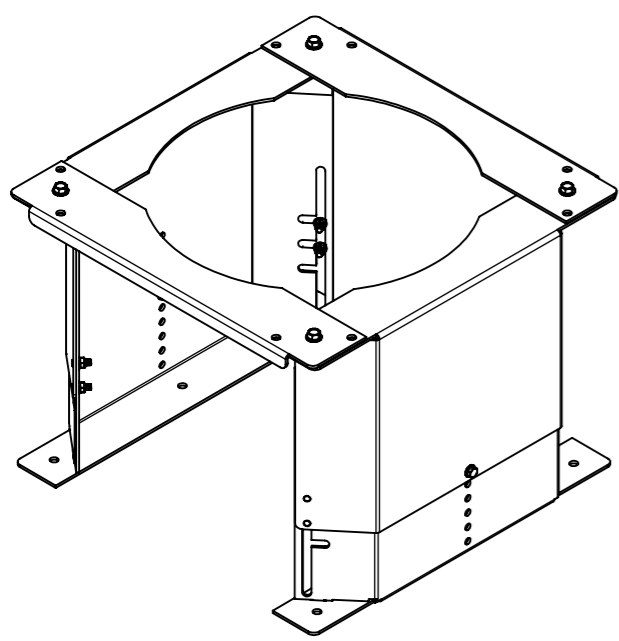


This document is property of 3nine AB, and may not without our written permission be copied, imparted to a third party or used for any unauthorized purpose.



Surface conditioning	Heat treatment	Scale
General tolerance SS-ISO 2768	General roughness, Ra	1:10
Drawn 110919 Sign JSg	Denomination	Adjustable console Dimension drawing EMMA
Check. Sign		
3nine	Article nr.	Drawing nr. Sheet 1 of 1 Mod.
	250-004	DD250-004

A B C D E F G H

6
5
4
3
2
1